



## Basket Strainer

AW33/1

DN50 - DN600

PN 10/16

The Basket Strainer will screen and collect scale, rust, debris, in a large basket-shaped screen. Because of its shape, the flow through the strainer is virtually unobstructed, making it ideal for applications on heavily laden fluids.

### Technical Details

**Maximum Working Pressure PFA:**

16 bar / PN16

**Working temperature:**

Maximum +90°C

**Flange Type:**

EN 1092-2 PN10 & PN16

**Coating:**

300 µm FBE coating, external and internal - RAL5015

**Installation:**

Horizontal

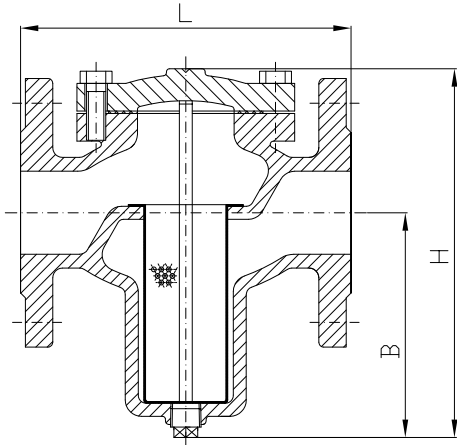
**Application:**

Installation for water, potable water, irrigation water and other chemically inert fluids

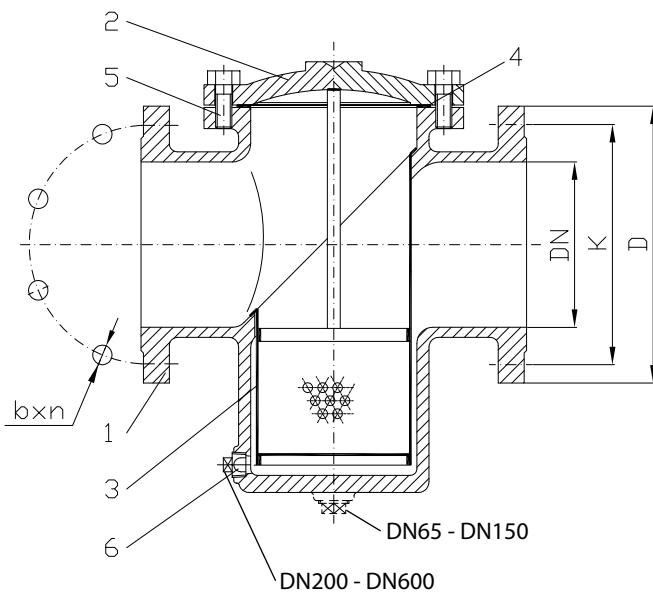
### Design features

- Fitted with a drain plug for easy routine cleaning
- Heavy duty basket screen in stainless steel 316
- Full flow area, maintained during periods of dropped pressure.





DN50



No	Part Name	Material
1	Body	Ductile Iron EN-GJS-500-7
2	Bonnet	Ductile Iron EN-GJS-500-7
3	Strainer Screen	Stainless Steel X5CrNiMo17-12-2 / 1.4401 / 316
4	Bonnet Gasket	Graphite
5	Bonnet Bolts	Stainless Steel X5CrNiMo17-12-2 / 1.4401 / 316
6	Vent Plug	Stainless Steel X5CrNiMo17-12-2 / 1.4401 / 316

Standard Screens

Size	Hole Diameter	Free Flow Area
DN50 - DN80	1,5 mm	33%
DN100 - DN600	3,0	40%

Dimension (mm & kg)

Group	DN	50	65	80	100	125	150	200	250	300	350	400	450	500	600
AW33/1	PN16	AV0009	AV0010	AV0001	AV0002	AV0022	AV0003	AV0004	AV0005	AV0006	AV0007	AV0008	AV0013	AV0011	AV0012
	PN10	AV0009	AV0010	AV0001	AV0002	AV0022	AV0003	AV0014	AV0015	AV0016	AV0017	AV0018	AV0019	AV0020	AV0021
L		207	210	251	292	334	378	475	511	680	769	842	842	842	1054
H		225	250	297	330	370	410	530	615	700	925	972	1010	1110	1690
B		128	155	190	202	218	243	305	335	425	585	590	543	600	1175
K	PN16 / PN10	125	145	160	180	210	240	295	355/350	410/400	470/460	525/515	585/565	650/620	770/725
b x n	PN16 / PN10	19x4	19x4	19x8	19x8	19x8	23x8	23x12/ 23x8	28x12/ 23x12	28x12/ 23x12	28x16/ 23x16	31x16/ 28x16	31x20/ 28x20	34x20/ 28x20	37x20/ 31x20
D	PN16 / PN10	165	185	200	220	250	285	340	405/395	460/445	520/505	580/565	640/615	715/670	840/780
Vent Plug		1/2"	3/4"	3/4"	1"	1"	1"	1-1/2"	1-1/2"	2"	2"	2"	2"	2"	2"
Weight kg		11	19	21	30	49	58	100	151	270	470	500	645	850	1250